

LED Work Lights - Model 6040

PRODUCT INFORMATION

| | |
|--------------------------------------|--|
| Description | 12-48V LED Work Light with Polycarbonate Lens & Trapezoid Beam Pattern |
| Height | 113.03 mm / 4.45 in |
| Width | 113.03 mm / 4.45 in |
| Depth | 43.18 mm / 1.7 in |
| Shape | Round |
| Outer Lens Material | Polycarbonate |
| Outer Lens Color | Clear |
| Housing Material | Die-Cast Aluminum |
| Housing Color | Black |
| Retrofits | PAR36 Worklights |
| Minimum Operating Temperature | -40 °C / -40 °F |
| Maximum Operating Temperature | 65 °C / 149 °F |
| Connector or Wiring | Blade Terminals (Ring Terminal Adaptors Provided) |
| Mating Connector | 0.25" Blade, #6 Ring Terminal, #8 Ring Terminal |
| Product Weight | 0.69 lbs / 0.31 kgs |
| Shipping Weight | 1.30 lbs / 0.59 kgs |



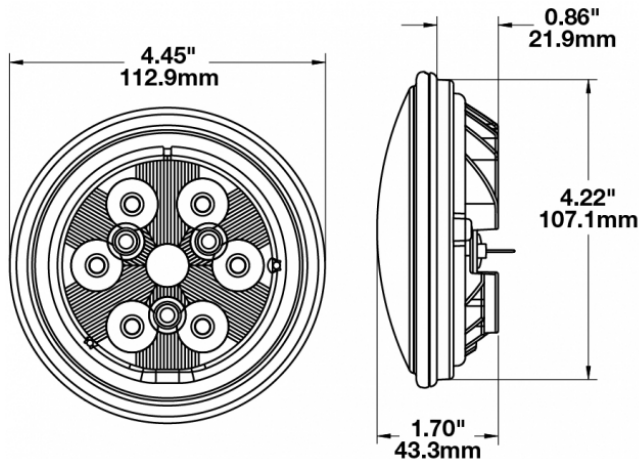
Print date: 2024-08-11

© 2024 J.W. Speaker Corporation • Germantown, WI U.S.A.
www.jwspeaker.com • speaker@jwspeaker.com • 262.251.6660

J.W. SPEAKER 
Engineered. Lighting. Solutions.

LED Work Lights - Model 6040

PRODUCT DIMENSIONS



ELECTRICAL SPECIFICATIONS

| | |
|-----------------------------------|---|
| Input Voltage | 12-48V DC |
| Operating Voltage | 10-60V DC |
| Transient Spike Protection | 150V Peak @ 1 HZ-100 Pulses |
| Red Wire | Positive |
| Black Wire | Negative |
| Current Draw | 1.04A @ 12V DC 0.5A @ 24V DC 0.33A @ 36V DC 0.26A @ 48V DC |

REGULATORY STANDARDS COMPLIANCE



Buy America Standards
IEC IP66

Eco Friendly

Print date: 2024-08-11

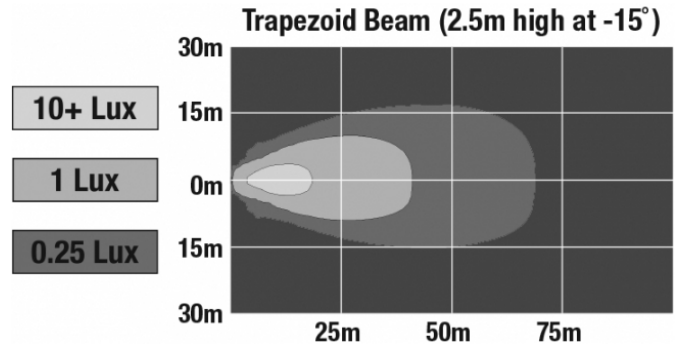
© 2024 J.W. Speaker Corporation • Germantown, WI U.S.A.
www.jwspeaker.com • speaker@jwspeaker.com • 262.251.6660

J.W. SPEAKER
Engineered. Lighting. Solutions.

LED Work Lights - Model 6040

PHOTOMETRIC SPECIFICATIONS

| | |
|--------------------------------------|------------------------------|
| Raw Lumen Output | 1,500 |
| Effective Lumen Output | 1,070 |
| Nominal LED Color Temperature | 5000 K |
| Beam Pattern(s) | Forward Lighting - Trapezoid |



APPLICATIONS



PRODUCT WARNINGS

For California residents:

⚠ **WARNING:** Cancer and reproductive harm - www.P65Warnings.ca.gov.

⚠ **AVERTISSEMENT:** Cancer et effet nocif sur la reproduction - www.P65Warnings.ca.gov.

Print date: 2024-08-11

© 2024 J.W. Speaker Corporation • Germantown, WI U.S.A.
www.jwspeaker.com • speaker@jwspeaker.com • 262.251.6660

J.W. SPEAKER
Engineered. Lighting. Solutions.

LED Work Lights - Model 6040

RELATED PRODUCTS



Part Number
3157291

12V LED Work Light
with Glass Lens &
Flood Beam Pattern



Part Number
3157301

12V LED Work Light
with Glass Lens &
Trapezoid Beam
Pattern



Part Number
3157471

12-48V LED Work Light
with Polycarbonate
Lens & Flood Beam
Pattern



Part Number
3157491

12-48V LED Work Light
with Polycarbonate
Lens & Spot Beam
Pattern



Part Number
3157581

12-48V LED Work Light
with Glass Lens & Spot
Beam Pattern



Part Number
3157591

12-48V LED Work Light
with Glass Lens &
Trapezoid Beam
Pattern



Part Number
3157601

12-48V LED Work Light
with Glass Lens &
Flood Beam Pattern



Part Number
8000111

12V LED Work Light
with Polycarbonate
Lens & Flood Beam
Pattern